

Enclosures **Heartland Series**

Polycarbonate Enclosure 10 x 8 x 6 Inches Heartland with Clear Cover with Stainless Steel Latches



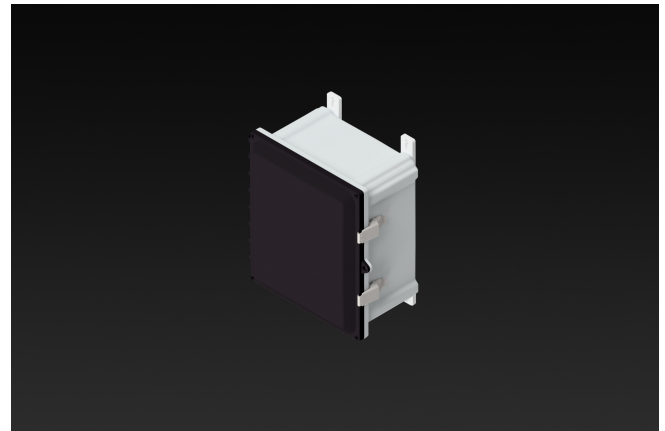
Catalog Number AH1086CSS
UPC 19156411669.0

List Price

\$218.84

Description

10H x 8W x 6D Inches Heartland (AH) Series is a high performance, polycarbonate enclosure applicable for heavy industrial conditions, but with a refined style suitable for commercial, industrial and OEM design applications. Heartland Series enclosures are rain-tight and watertight rated for use in both interior and exterior applications. This configuration features a clear cover which is hinged, latched and padlockable with stainless steel latches.



Application

Suitable for heavy industrial; commercial; and OEM applications

Features

- Latches and hinges do not penetrate enclosure
- Easy to remove lid
- High performance inserts
- integrated padlock hasp
- Flush-fit side mount swing panel and DIN rail system
- Molded in bosses
- Multi-directional mounting feet

- Single SKU with multiple cover attachment options

General Information

| | |
|---|--|
| Color | Gray |
| Cover Type | Clear |
| Mounting Type | Wall Mount |
| Material | Polycarbonate |
| Back Panel Screw Size | #10-32x3/8 |
| Back Panel Recommended Torque | 16-20 in-lbs. |
| Back Panel Screw Material | Zinc Plated |
| Cover Screw Size | #10-32 x 5/8 |
| Cover Screw Recommended Torque | 20-24 in-lbs. |
| Cover Screw Material | 304 SS |
| Mounting Foot Screw Size | 1/4-20 x 1/2 |
| Mounting Foot Screw Recommended Torque | 10-14 in-lbs. |
| Installation Mounting Torque | 25-30 in-lbs. Max |
| Metal Inserts | Brass |
| Hinge Material | Integral Polycarbonate |
| Latch Material | 316 SS |
| Gasket Material | Poured In Place (PIP) Polyurethane Seamless |
| Country of Origin | USA |

Dimensions

| | |
|---------------------------|-------|
| Height (in) | 10.0 |
| Width (in) | 8.0 |
| Depth (in) | 6.0 |
| Height (mm) | 254.0 |
| Width (mm) | 203.0 |
| Depth (mm) | 152.0 |
| Useable Depth (in) | 6.5 |
| Useable Depth (mm) | 166.0 |

Standards

**NEMA 10250; UL 50; UL 50e;
UL508A** cULus Listed File #E319779

Type 1; 3R; 4; 4X; 12

IEC 60529

Temperature Range °F -40°F to +248°F

Temperature Range °C -40°C to +120°C

Flammability Rating UL94-5VA

Outdoor Exposure UL746c (f1) Rated

CE Certified

Latch Material
Stainless Steel